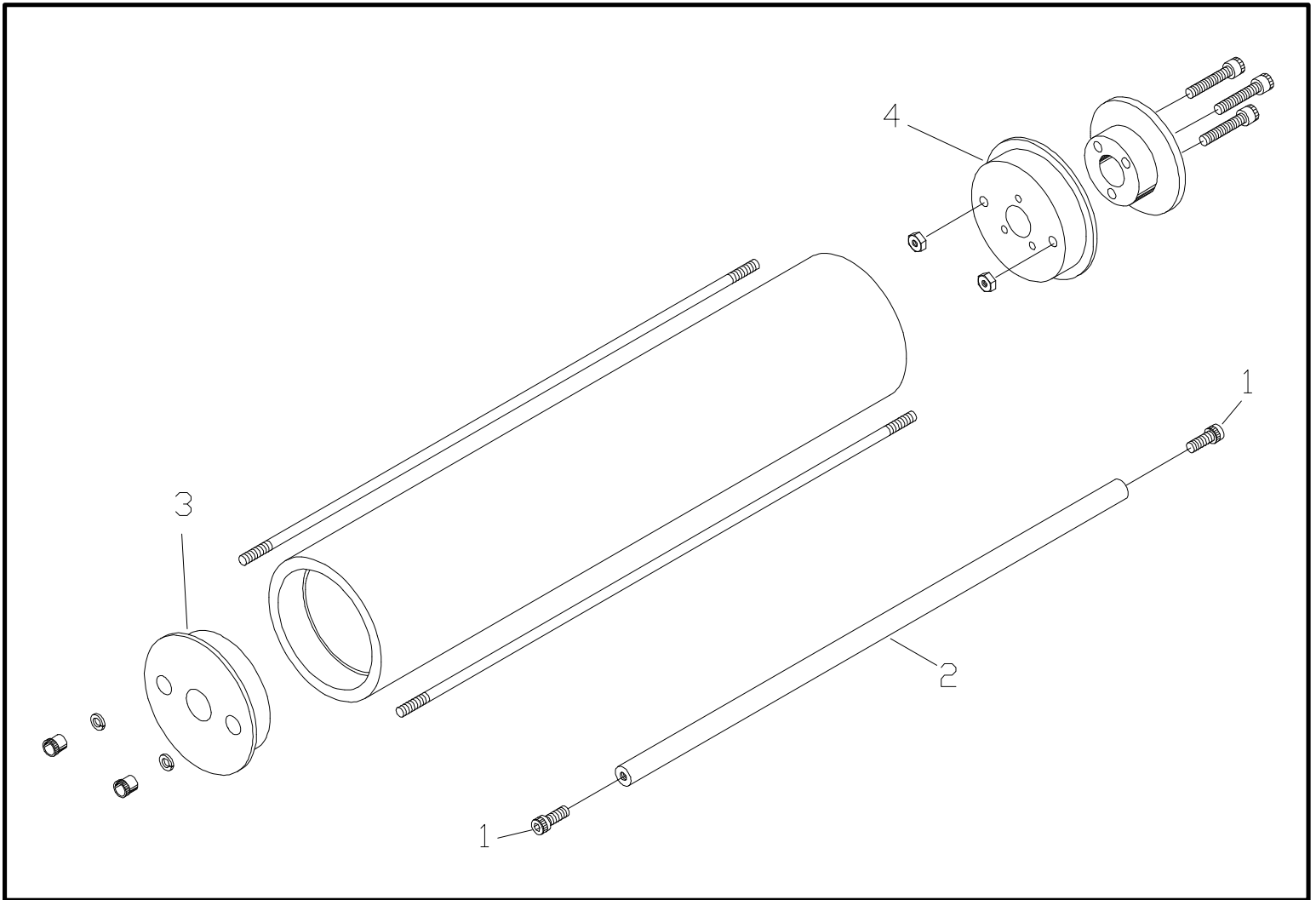


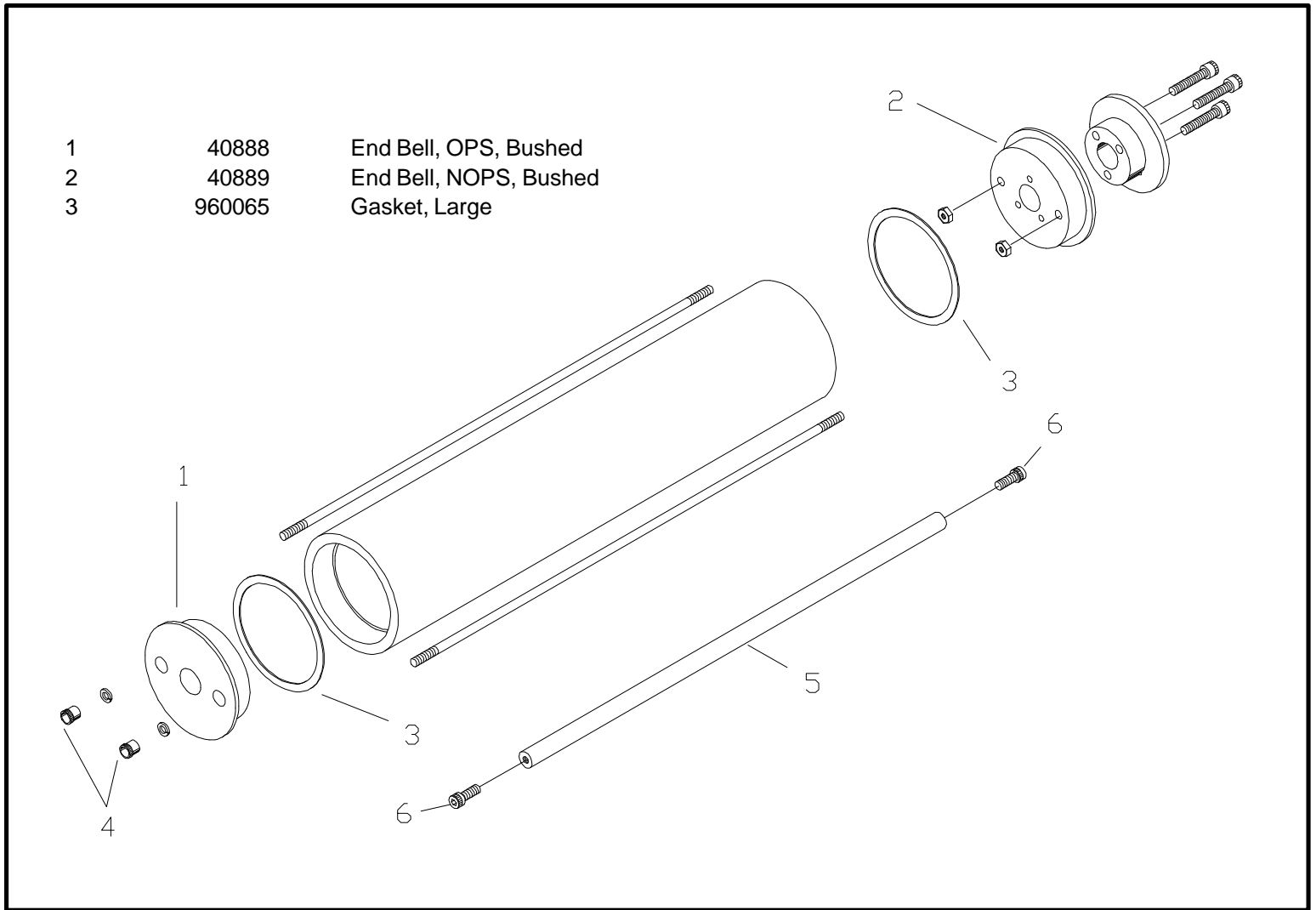
# REMOVING THE LARGE OSCILLATOR WITH TIE RODS



**Step 1.** Remove the screws [1] from the shaft [2]. Remove the oscillator.

**Step 2.** Pull the shaft out of the oscillator and disassemble. You may discard the end bells [3 & 4] but retain all other parts.

# INSTALLING THE LARGE OSCILLATOR WITH TIE RODS



- |   |        |                        |
|---|--------|------------------------|
| 1 | 40888  | End Bell, OPS, Bushed  |
| 2 | 40889  | End Bell, NOPS, Bushed |
| 3 | 960065 | Gasket, Large          |

**Step 1.** Assemble the oscillator as shown. Make sure that the tie rods are straight and tighten the nuts [4] until they are snug. **Over tightening the nuts can cause low spots in the tube.**

**Step 2.** Insert the shaft [5] into the oscillator and ensure that it turns freely.

**Step 3.** Install the oscillator using the screws [6].